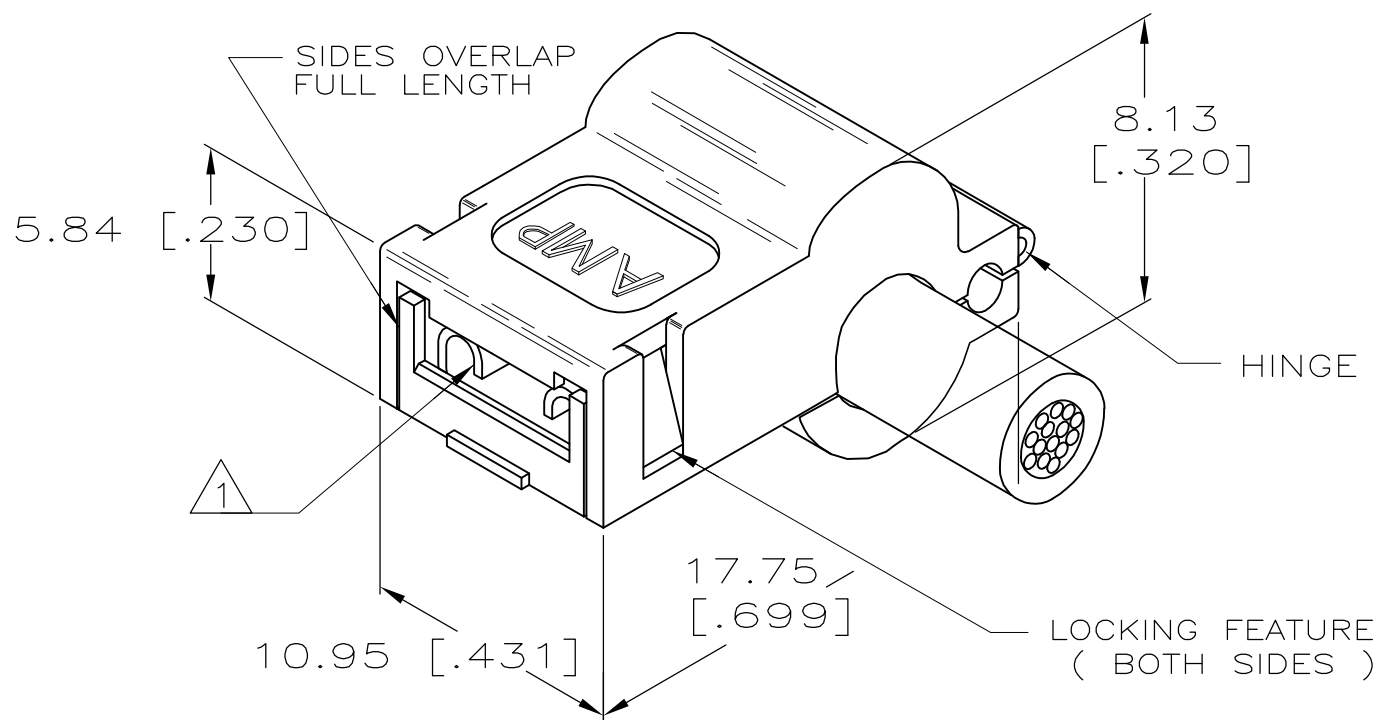
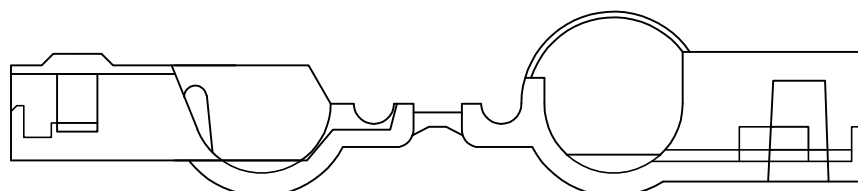
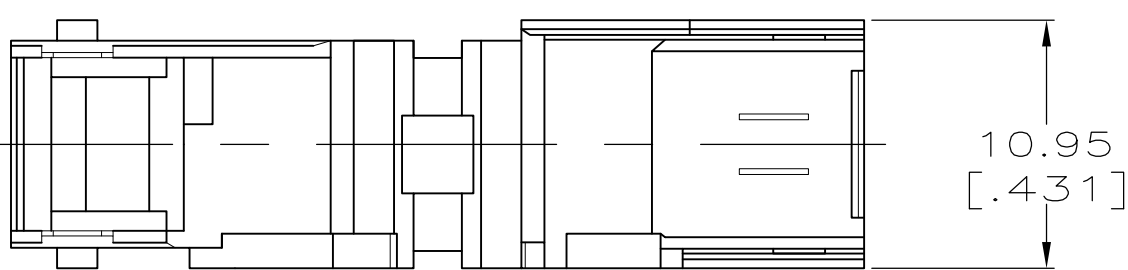
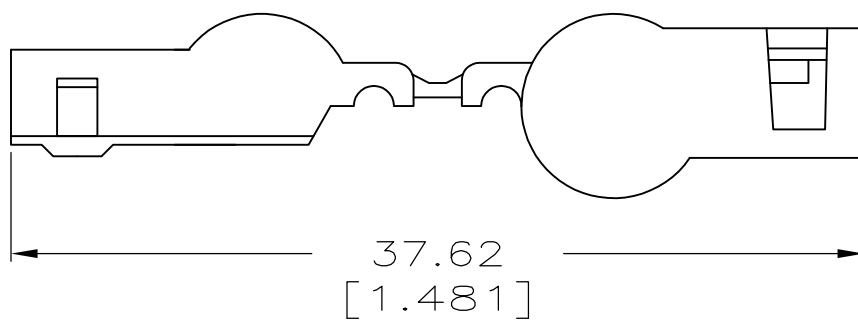


THIS DRAWING IS UNPUBLISHED. RELEASED FOR PUBLICATION
 © COPYRIGHT BY TYCO ELECTRONICS CORPORATION. ALL RIGHTS RESERVED.

LOC	DIST	REVISIONS					
AF	50	P	LTR	DESCRIPTION	DATE	DWN	APVD
			G3	REV PER ECR 07-015235	27JUL07	JR	PD



NOTES:

- 1 4.75 [.187] SERIES TAB-LOK FLAG FASTON RECEPTACLE. TERMINAL NUMBERS 42486, 42618, 42800, AND 60820.
- 2 SEE CP-29349 FOR RECOMMENDED TAB DETAILS.
- 3 CONTINUOUS STRIP ON REELS.
- 4 LOOSE PIECE (ONE POD).
- 5 GLOW WIRE APPROVED, CONTACT TYCO ELECTRONICS FOR ENGN SPECIFICATIONS, ALL WALL THICKNESSES ARE BETWEEN 0.4mm AND 3.0mm.
- 6 PRELIMINARY - NOT FOR PRODUCTION

TYPE	MATERIAL	PART NO.
4 LOOSE PIECE	5	1-480487-4
4 LOOSE PIECE	6/6 NYLON, VO	1-480487-3 6
4 LOOSE PIECE	6/6 NYLON	1-480487-2
3 STRIP	6/6 NYLON	1-480487-0

OBSOLETE

THIS DRAWING IS A CONTROLLED DOCUMENT.		DWN JR RUTH 6/27/97	Tyco Electronics Corporation Harrisburg, PA 17105-3608	
DIMENSIONS: mm [INCHES]		CHK MS FEHER 6/27/97		
TOLERANCES UNLESS OTHERWISE SPECIFIED:		APVD R BEAVER 6/27/97	NAME HOUSING, AMPIP, FASTON, TAB-LOK, 4.75 [.187] SERIES	
0 PLC ± - 1 PLC ± - 2 PLC ± 0.38 [.015] 3 PLC ± - 4 PLC ± - ANGLES ± -		PRODUCT SPEC -	RESTRICTED TO -	
MATERIAL SEE TABLE		FINISH NATURAL	APPLICATION SPEC -	SIZE A3
			WEIGHT -	CAGE CODE 00779
			DRAWING NO C-480487	
		CUSTOMER DRAWING		SCALE 3:1
				SHEET 1 OF 1
				REV G3